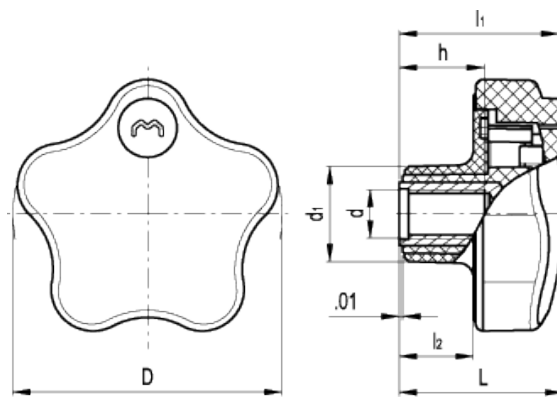


# VLS.

## Security lobe knobs



american unit  
metric unit

Elesa Standards		Main dimensions					Mounting hole		Weight
Code	Description	D	L	$l_1$	$d_1$	$l_2$	$d_{6H}$	h	lbs g
76501*	VLS.42 B-M6	1.63 41.5	1.18 30	1.16 29.5	0.65 16.5	0.57 14.5	- M6	0.47 12	0.055 25
76502*	VLS.42 B-M8	1.63 41.5	1.18 30	1.16 29.5	0.65 16.5	0.57 14.5	- M8	0.51 13	0.057 26
76551*	VLS.55 B-M8	2.17 55	1.3 33	1.26 32	0.75 19	0.59 15	- M8	0.51 13	0.073 33
76552*	VLS.55 B-M10	2.17 55	1.3 33	1.26 32	0.75 19	0.59 15	- M10	0.67 17	0.077 35

\* Keys are not supplied with the knobs, to be ordered separately

### Lobe solid cap

Glass-fibre reinforced polyamide based (PA) technopolymer with security anti-intrusion-profiled key slot. Resistant to solvents, oils, greases and other chemical agents.

### Flange

Technopolymer, ultrasonically welded.

### Colour

Black, matte finish.

### Clamping element

Acetal resin based (POM) technopolymer.

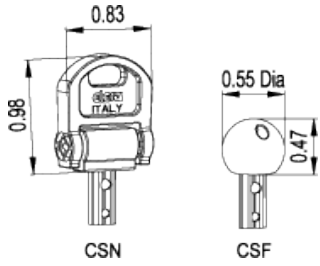
### Assembly

Brass boss, tapped blind hole.

### Security key (to be ordered separately)

- CSN (code 6951): acetal resin based (POM) technopolymer fold-away key, red colour, anti-intrusion-profiled stainless steel insert.

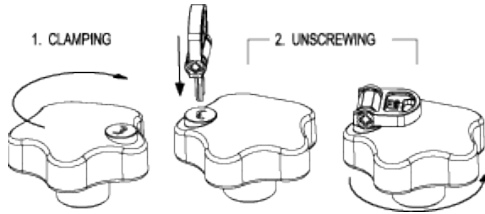
- CSF (code 6952): polyamide based (PA) technopolymer ball key, red colour, anti-intrusion-profiled stainless steel insert.  
On request and for sufficient quantities the security keys can be supplied in black colour too.



#### Security device

VLS security lobe knobs have been designed to be unscrewed only by authorised people, provided with the security key. Without the security key, the knob turns without unscrewing.

1. Clamping: clamp the knob by screwing it as for a normal knob. Mind that the security key is not inserted.
2. Unscrewing: simply insert the security key (without turning it) and unscrew the knob.



#### Features and applications

The particular design of the internal device and of the flange helps the drainage of any dirt (dust, earth, liquid).