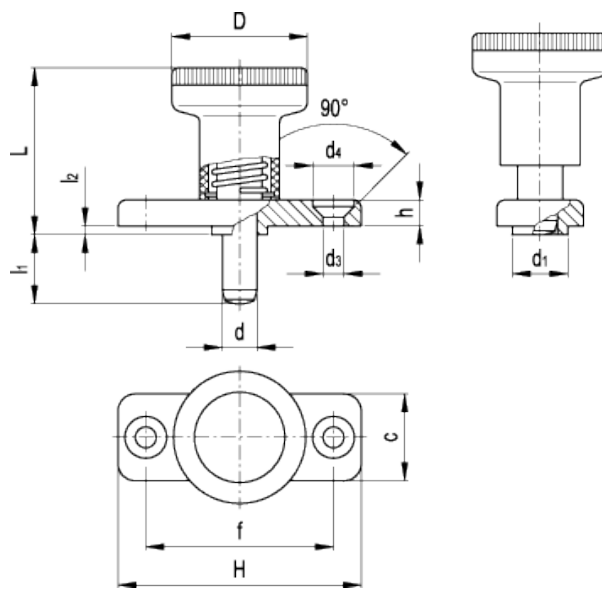


GN 608

Indexing plungers with flange



Elesa-Gantergriff		Main dimensions													Spring pressure		Axial holding force	Weight
Code	Description	d ^{-0.0008 - .0015}	l ₁	H	c	d ₁ ^{-0.0008 - .0039}	D	d ₃	d ₄	f	L	l ₂ ^{-.006}	h	Preload [lbf] [N]	Max. load [lbf] [N]	[lbf] [N]	lbs g	
GN.35081	GN 608-6-6	0.24 6	0.24 6	1.57 40	0.71 18	0.39 10	0.98 25	0.17 4.3	0.33 8.3	1.18 30	1.22 31	0.1 2.5	0.18 4.5	2 8.5	5 22	90 400	0.079 36	
GN.35083	GN 608-6-14	0.24 6	0.55 14	1.57 40	0.71 18	0.39 10	0.98 25	0.17 4.3	0.33 8.3	1.18 30	1.22 31	0.1 2.5	0.18 4.5	2 8.5	5 22	90 400	0.093 42	
GN.35082	GN 608-8-8	0.31 8	0.31 8	1.81 46	0.79 20	0.47 12	1.22 31	0.21 5.3	0.41 10.4	1.34 34	1.42 36	0.1 2.5	0.22 5.5	3 15.5	6 28	112 500	0.13 59	
GN.35084	GN 608-8-18	0.31 8	0.71 18	1.81 46	0.79 20	0.47 12	1.22 31	0.21 5.3	0.41 10.4	1.34 34	1.42 36	0.1 2.5	0.22 5.5	3 15.5	6 28	112 500	0.145 66	

Body with flange

Zinc-plated die-cast zinc alloy with two holes for assembly with countersunk head screws.

Plunger

Black-oxide steel with hardened end. Suggested matching hole in H7 tolerance.

"Push/Pull" knurled knob

High resilience polyamide based (PA) technopolymer, black colour, matte finish. Resistant to solvents, oils, greases and other chemical agents.

Applications

GN 608 indexing plungers have compact dimensions and are used on thin metal sheets.



STANDARD MACHINE ELEMENTS WORLDWIDE

ELESA-GANTER models all rights reserved in accordance with the law. Always mention the source when reproducing our drawings.