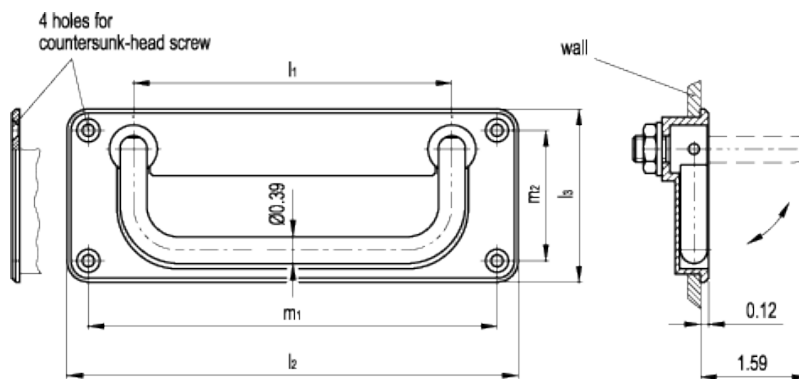


# GN 425.4

## Folding handles with recessed tray



american unit  
metric unit

Elesa-Gantergriff		Main dimensions					Weight
Code	Description	$l_1$	$l_2$	$l_3$	$m_1$	$m_2$	lbs g
GN.26741	GN 425.4-120-CR-SW	4.72 120	6.69 170	2.56 65	6.06 154	1.93 49	0.885 402

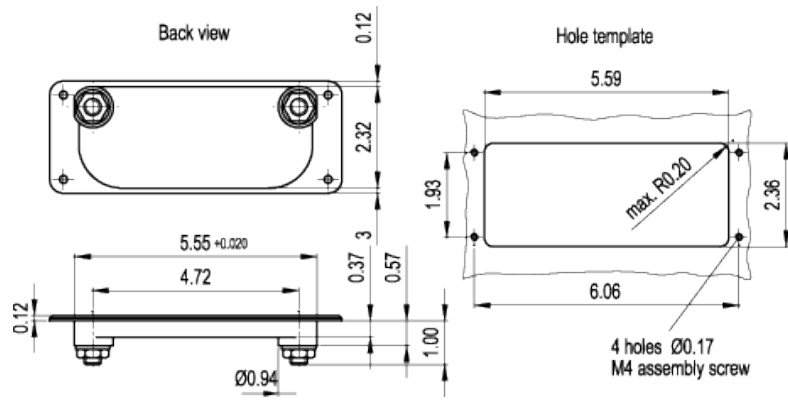
**Material**  
Chrome-plated steel.

**Tray**  
Die-cast zinc alloy, RAL 9005 black colour, matte finish, epoxy resin coating.

**Assembly**  
Through holes for countersunk head screws. The handle is supplied assembled to the tray.

### Features and applications

GN 425.4 handles are particularly suitable in order to save space. The tray protrudes from the assembly surface by only 0.12 (3 mm).



**elesa**

STANDARD MACHINE ELEMENTS WORLDWIDE