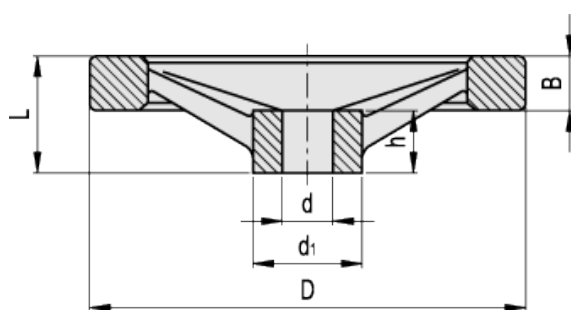


GN 322-A

Spoked handwheels

INCH



american unit
metric unit

Elesa-Gantergriff		Main dimensions				Bore		Weight
Code	Description	D	L	B	d ₁	d	h	lbs g
GN.926101	GN 322-125-B1/2-A	4.92 125	1.3 33	0.59 15	1.22 31	0.500 -	0.71 18	0.685 311
GN.926113	GN 322-140-B5/8-A	5.51 140	1.42 36	0.65 16.5	1.42 36	0.625 -	0.75 19	0.868 394
GN.926121	GN 322-160-B5/8-A	6.3 160	1.54 39	0.71 18	1.42 36	0.625 -	0.79 20	1.167 530
GN.926131	GN 322-200-B5/8-A	7.87 200	1.77 45	0.81 20.5	1.65 42	0.625 -	0.94 24	1.982 900
GN.926141	GN 322-250-B3/4-A	9.84 250	2.01 51	0.91 23	1.89 48	0.750 -	1.1 28	3.293 1495

Material

Cast aluminium, fine sandblasted matte surface, turned and mirror-polished rim.

Standard execution

Standard reamed hole.

Special executions on request

- GN 322-A with [GN 000.5](#) safety bushing.
- GN 324 handwheels with black epoxy resin coating, matte finish.
- Keyway in compliance with [ANSI B17.1-1967 tolerance](#).

Other executions on request

Standard metric holes.

Technical data

Axial and radial runout lower than IT 12.

