

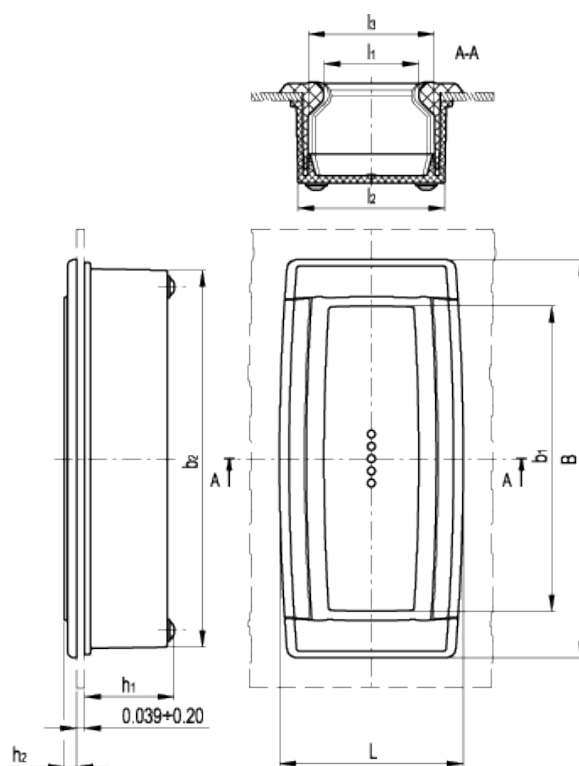
ERB.



Bi-directional flush pull handle (assembly by means of screws)



ERGOSTYLE®



american unit
metric unit

| Elesa Standards | | Main dimensions | | | | | | | | | F ₁ | F ₂ | Weight |
|-----------------|-------------|-----------------|------------|----------------|----------------|----------------|----------------|----------------|----------------|----------------|----------------|----------------|-------------|
| Code | Description | B | L | h ₁ | h ₂ | b ₁ | b ₂ | l ₁ | l ₂ | l ₃ | [lbf] [N] | [lbf] [N] | lbs g |
| 261511-C1 | ERB.130-C1 | 5.12 130 | 2.36 60 | 1.16 29.5 | 0.12 3 | 3.98 101 | 4.84 123 | 1.22 31 | 1.89 48 | 1.61 41 | 784 3500 | 784 3500 | 0.209 95 |

Material
Glass-fibre reinforced polyamide based (PA) technopolymer. Resistant to solvents, oils, greases and other chemical agents.

Colour
Grey-black, matte finish.

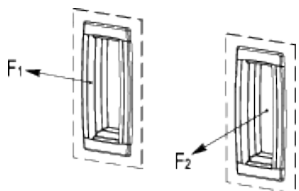
Assembly
4 zinc-plated steel self-tapping screws, DIA 0.14x0.79 (Ø 3.5x20 mm), supplied.
Maximum tightening torque of the screws 0.88 ft·lbf (1.2 Nm).

Features and applications

ERB. bi-directional flush pull handles are suitable to open and close sliding doors. The ergonomics of the cavity offers a safe and secure, comfortable and ergonomic grip. Rounded and compact lines.

Technical data

The lifting (F1) and pull out (F2) resistance values reported in the table are the result of the tests carried out in laboratory with handles assembled on strengthened metal sheet panels with thickness = 0.05 (1.5 mm) (strengthened for test purposes).



Assembly instructions

1. Drill the handle housing according to the template dimensions reported in the table.
2. Remove all drilling burrs before fitting the handle.
3. Fit the frontal body of the handle into the housing of the panel.
4. Fit the rear body of the handle onto the rear panel and press until the complete fitting with the frontal handle part.
5. Fit the two bodies with self-tapping screws.

